



SMALL EXCAVATOR RANGE

SY135C



SANY

SY135C small excavator adopts optimized engine output power, variable working modes, large-capacity fuel tank and reinforced structure, ensuring its top performance, high productivity and reliability.

- » The engine output power of SY135C 13.5 ton excavator is 73kW with increased hydraulic power and improved fuel efficiency. The 13.5 ton excavator adopts the customized engine with four cylinder, four-stroke direct-injection turbocharger, and providing strong operating power for the machine. The engine is designed with four working modes. The working mode can be changed on the monitor, which can maximize the operating efficiency and reduce the fuel consumption.

S135C

 OPERATING WEIGHT:

13500kg

 ENGINE MODEL:

Isuzu GB3-4JJ1X

 WARRANTY:

5 Year / 5,000 Hour

SY75C DIMENSIONS & SPECIFICATIONS

OVERALL DIMENSIONS

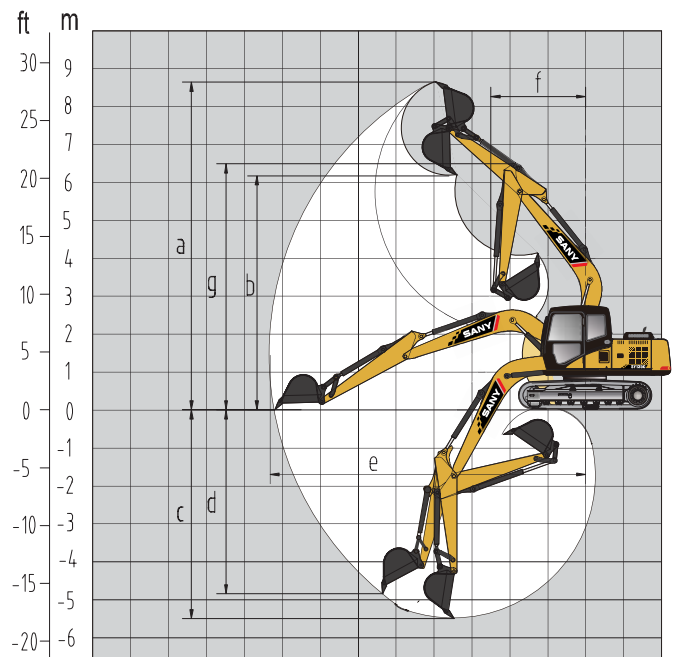
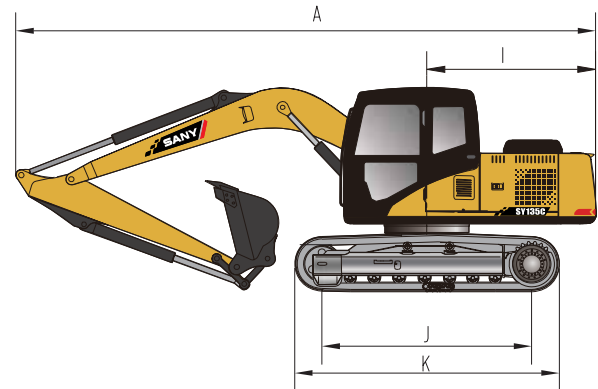
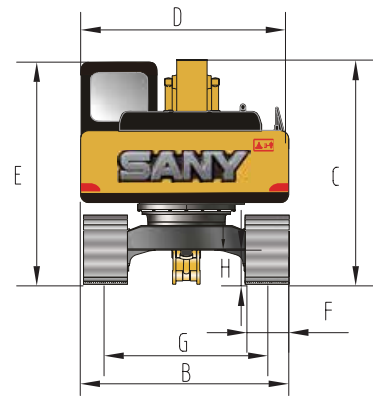
A	Transport Length	7700 mm
B	Transport Width	2550mm
C	Transport Height	2815 mm
D	UpperWidth	2490 mm
E	Blade Height	2740 mm
F	Standard Track Shoe Width	450 mm
H	Tail Swing Radius	2240mm
I	Min. ground clearance	425 mm
J	Counterweight Clearance	903 mm

WORKING RANGE

a	Maximum Digging Height	8685mm
b	Maximum Dumping Height	6180 mm
c	Maximum Digging Depth	5510 mm
d	Maximum Vertical Digging Depth	4890 mm
e	Maximum Digging Reach	8290 mm
f	Maximum Swing Radius	2500 mm
g	Height at Min. Swing Radius	6500 mm

MACHINE PARAMETERS

Operating Weight	13500 Kg
Engine Type	Isuzu GB3-4JJ1X
Engine Max Power (Gross)	73/2000 kW/rpm
Engine Max Torque	365/1600Nm/rpm
Engine Displacement	2.999L
Swing Speed	12rpm
Travel Speed	5.5/3.5km/h
Fuel Tank Capacity	240 L
Hydraulic Tank Capacity	150 L
Engine Oil Capacity	15 L
Ground Pressure	41.7kPa
Gradeability	70%/35°
Bucket Digging Force	92.7kN
Arm Digging Force	66kN
Tractive force	113kN
Bucket capacity	0.6 m ³
Boom length	4.6m
Arm length	2.5m



Not all products are available in all markets. Under our policy of continuous improvement, Sany reserve the right to change specifications and design without prior notice. The illustrations do not necessarily show the standard version of the machine.

SANY HEAVY MACHINERY (AUSTRALIA)

21 EFFICIENT DRIVE, TRUGANINA VIC 3029

PHONE 0400 724 483 WWW.SANYAUSTRALIA.COM.AU



SANY